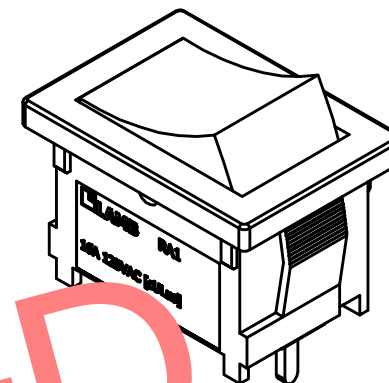
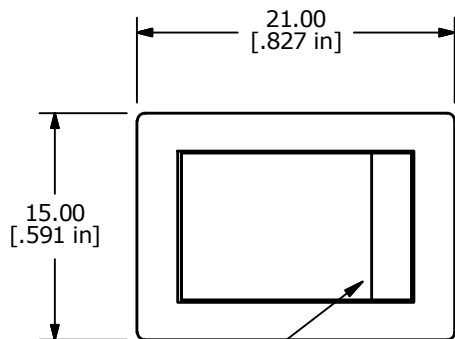


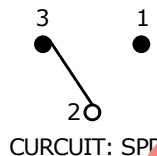
PANEL CUTOUT

PANEL THICKNESS	X
	DIM X +0.0/-0.1
.5-1.2	19.4
1.2-2.0	19.7
2.00 - 3.00	20.0

SWITCH FUNCTION	
POS. 1	POS. 2
ON	ON
2-1	3-2

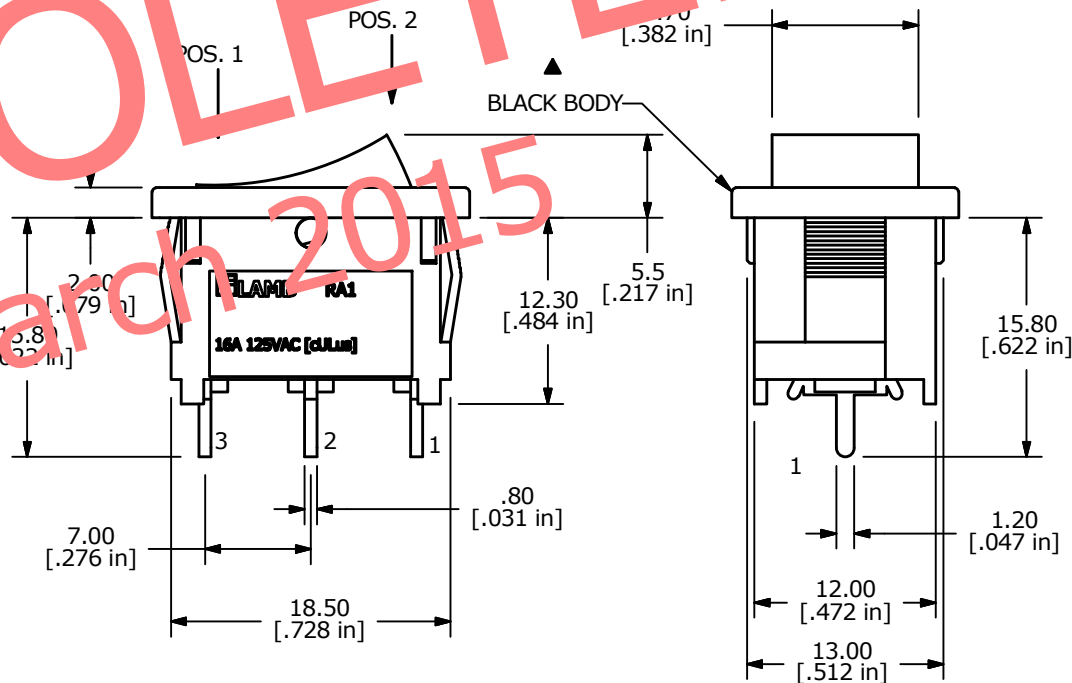


▲ BLACK ACTUATOR



NOTE:

- ▲1. DIMENSIONS IN MM [INCH]
2. GENERAL TOLERANCE: X.X = ± 0.1
X.XX = ± 0.25
3. TERMINAL NUMBERS FOR REF ONLY
4. CONTACT MATERIAL: SILVER
5. CONTACT RATINGS: 16A 125VAC [cULus
10(6)A 250V-1EA T85 [VDE,ENEC]
6(4) 250V-5EA T85 [VDE, ENEC]]
6. CONTACT RESISTANCE: 30mΩ MAX. @ 50VAC
7. INSULATION RESISTANCE: 500MΩ MIN. @ 500V DC
8. DIELECTRIC STRENGTH: 1,500VAC FOR 1 MINUTE
9. ELECTRICAL LIFE: 6,000 CYCLES [UR, cUR]
10,000 CYCLES [ENEC14, SEMKO: 10(4)a 250V~]
50,000 CYCLES [ENEC14, SEMKO: 10(2)a 250v~]
10. OPERATING TEMPERATURE: -20°C TO 105°C [UR, cUR]
-20°C TO 125°C [ENEC14, SEMKO: 10(4)a 250v~]
-20°C TO 85°C [ENEC14, SEMKO: 10(2)a 250v~]
11. ▲DENOTES CRITICAL PARAMETER
12. 2002/95/EC (ROHS) COMPLIANT



A	20526	RELEASE FOR PRODUCTION	3/27/2012	MM
REV	PCR NO	DESCRIPTION	DATE	BY

TITLE RA133E1100				
SCALE	DATE	DR	DWG	REV
2:1	3/27/2012	BGL	03-RA133E1100	A

THE INFORMATION CONTAINED IN THIS DOCUMENT IS PROPRIETARY TO E-SWITCH AND IS NOT TO BE COPIED OR TRANSFERRED